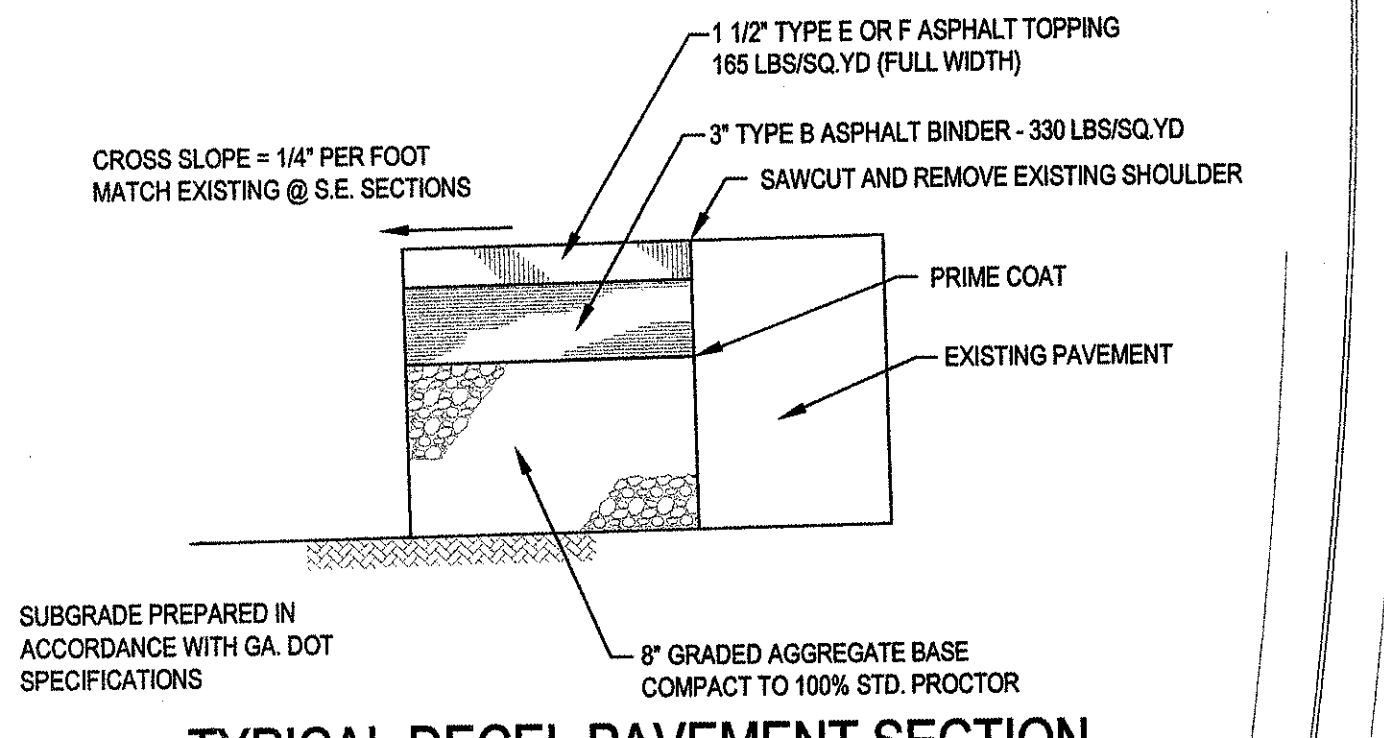
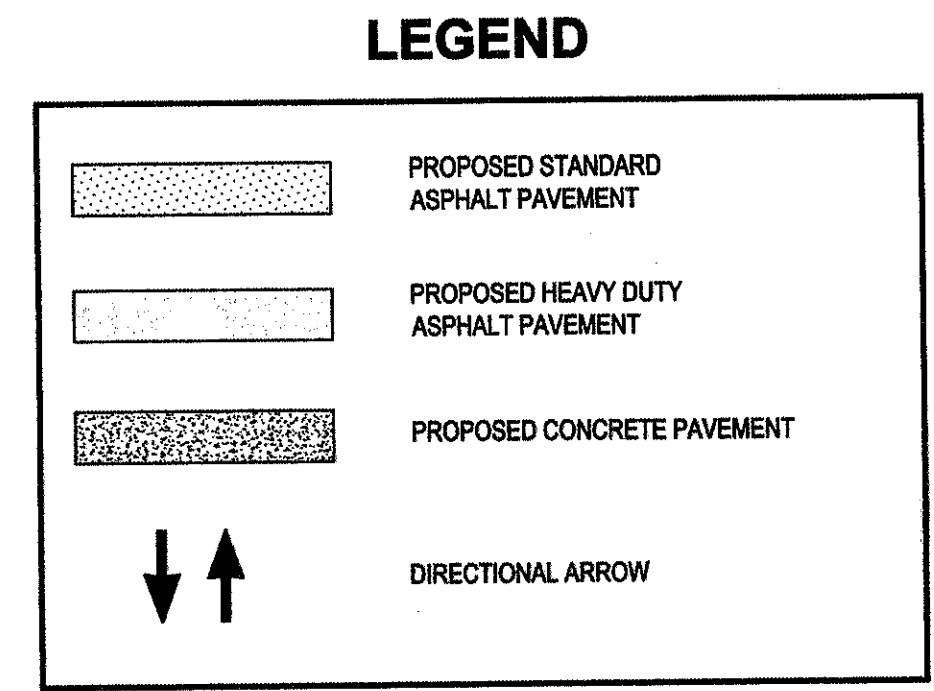
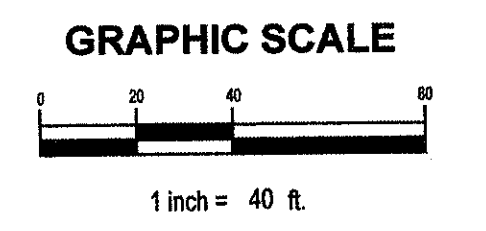


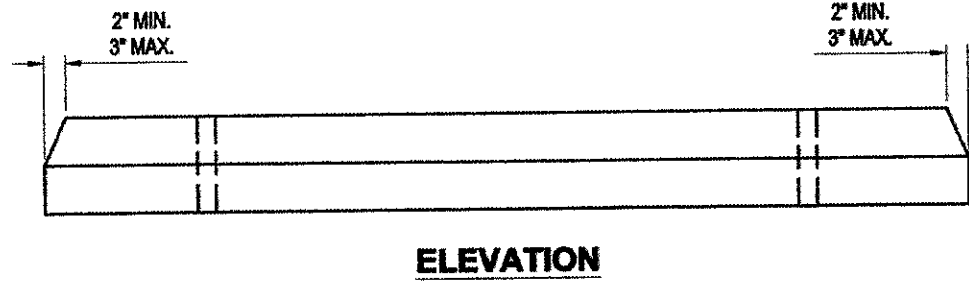
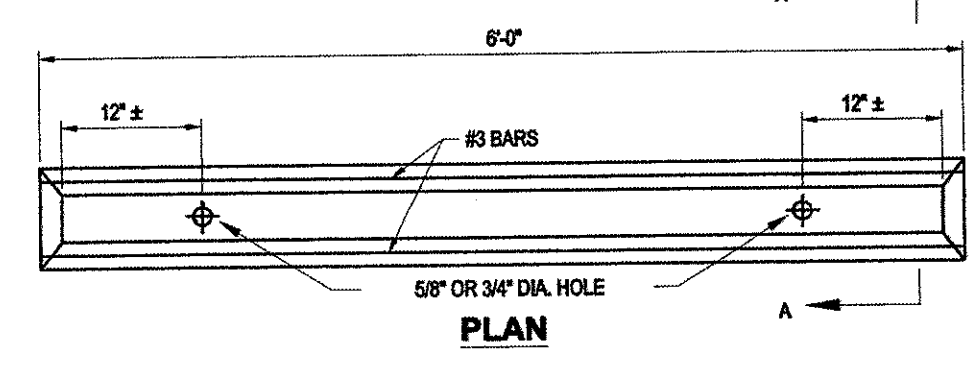
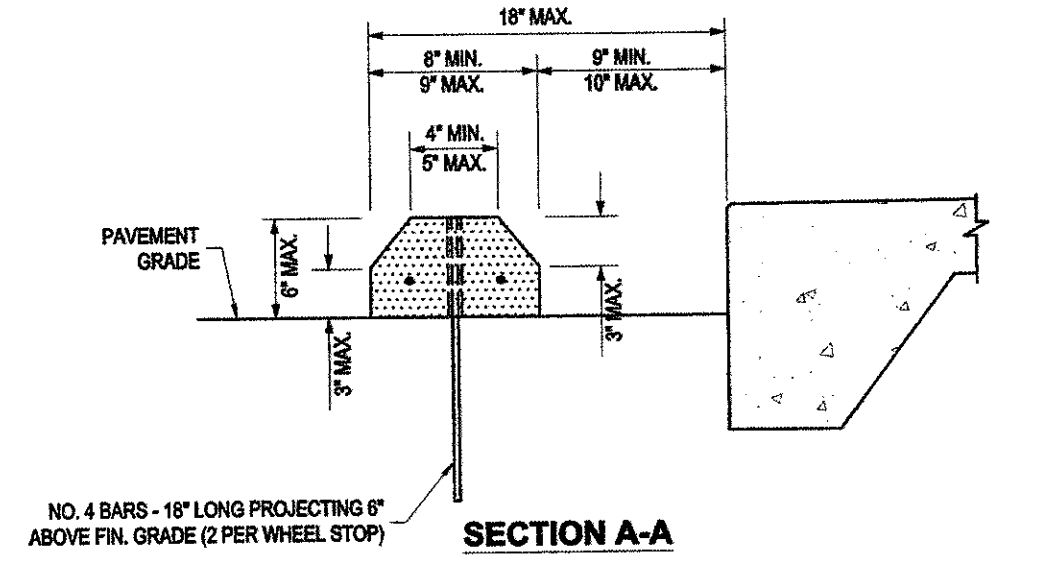
TYPICAL DECEL SECTION WITH CURB AND GUTTER
N.T.S.



TYPICAL DECEL PAVEMENT SECTION
N.T.S.



N/F
DESTINY VENTURES, INC.
D.B. 2729 PG. 624
P.B. 88 PG. 205
046 5127 048
ZONED: RC

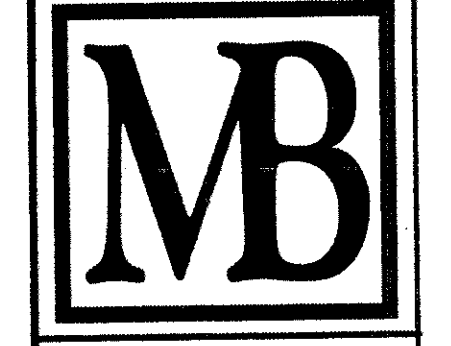


WHEEL STOP DETAIL
NOT TO SCALE

Moore Bass
CONSULTING
ATLANTA
DESTIN
TALLAHASSEE
718 Pental Parkway
Newnan, Georgia 30568
(770) 251-9800
www.moorebass.com

PROJECT NAME
SARGENT PLAZA
CLIENT NAME
SARGENT PLAZA, LLC
1775 GRAHAM AVENUE, SUITE 201
HENDERSON, NORTH CAROLINA 27536

REVISIONS
3/31/08 - REVISED PER COMETA COUNTY COMMENTS



J463-cd-geo.dwg
ARCHIVE
DATE 2/14/08
FILE # 07-436
CONTRACT # J46.003
DRAWN BY JSA
The Drawings, Specifications and other documents prepared by Moore Bass Consulting, Inc. (MBC) for this Project are instruments of service. They shall be deemed the author of these documents and shall retain all common law, statutory and other reserved rights, including the copyright.



APR 04 2008
SHEET TITLE
GEOMETRY PLAN
SHEET
4.0

C:\projects\LA03\workfiles\CD\LA03-geo.dwg 4.0 Site Geometry Plan, submittal, Apr 04, 2008, 12:00:09pm
© Moore Bass Consulting